

Razor

High performance LPG/CNG injection system

NEW YEAR
NEW PRODUCT **2020**

Precision made of stainless steel, combined with fluoropolymer / elastomer for excellent durability and ever-lasting cleanliness. Rated down to -40°C . Sophisticated but ingeniously simple internal design ensures parameters consistency and reliability you can always count on. Top-feed topology results in low pressure loss combined with high flow rates. Newly developed, highly optimized linear actuators provide razor-sharp injection timings and lightning fast operation.

Main features:

- Power supply: 10 - 28 V DC
- Maximum flow rate (without nozzle) **130 l / min**
- Operational temperature range: **$-40 / +125^{\circ}\text{C}$**
- Gas compatibility: LPG / CNG
- Coil resistance: 1.9 Ω
- Maximum opening current: 4.5 A / duration 3 ms
- Maximum holding current: 1.5 A
- Working pressure range: 0.0 - 4.0 Bar
- Fluoropolymer coating: anti-stick, anti-freeze
- Proprietary FKM fluoroelastomer sealing
- Opening time: **1.85 ms**
- Closing time: **1.1 ms**
- Integrated 120 micron particle filter
- Nominal nozzles for selecting the injector flow
- Body length: 94.5 mm
- Maximum diameter: 28 mm
- Calibration nozzle nominal diameter: 1.5 mm
- Weight: 106 g



Top Feed



Fluoropolymer
Coating



Low-temperature
optimized





High-speed
operation



www.versusgas.com

+48 25 759 42 61

info@versusgas.com

 **VERSUS**[®] 
AUTO GAS equipment

FHT Export-Import
ul. Szczecinska 16G
05-300 Minsk Mazowiecki, POLAND

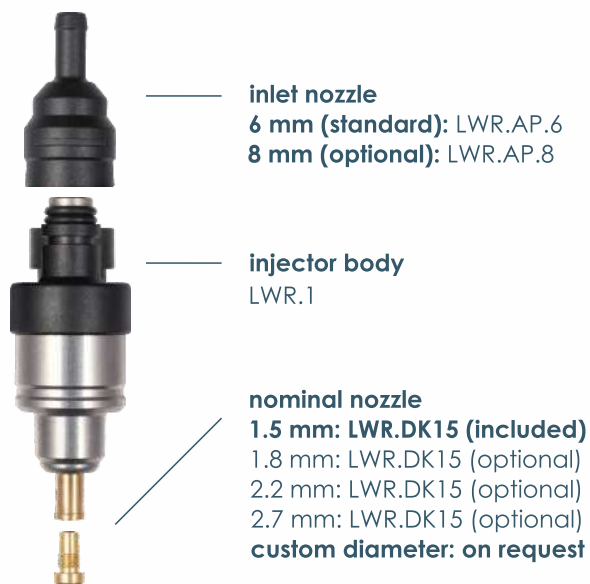
Razor

High performance LPG/CNG injection system

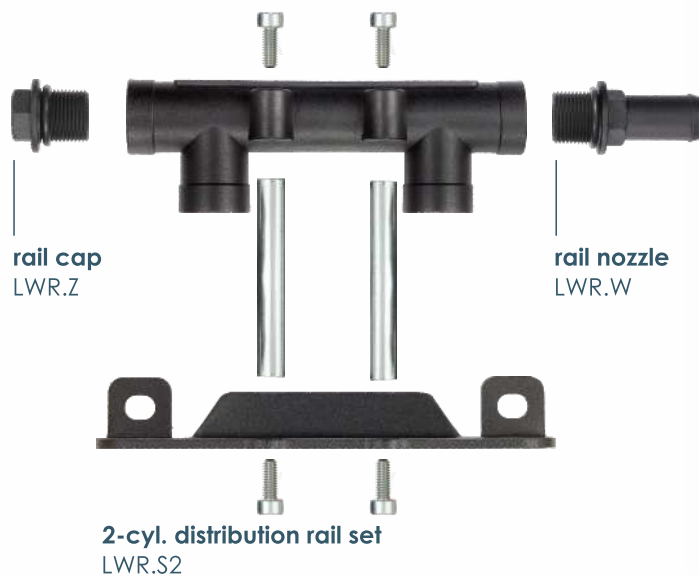
NEW YEAR
NEW PRODUCT **2020**

Modular design and versatile mounting options make it easy to place the injectors close to intake manifold nozzles for increased performance.

■ Single injector



■ Distribution rails (to be used with LWR.1)



■ Gas distributors (to connect LWR.1+LWR.AP)



■ Adapters (to connect LWR.1)



L-adapter 12 mm
LWR.AK



T-adapter 12 mm
LWR.AT



www.versusgas.com

+48 25 759 42 61

info@versusgas.com

VERSUS[®]
AUTO GAS equipment

FHT

FHT Export-Import
ul. Szczecinska 16G
05-300 Minsk Mazowiecki, POLAND